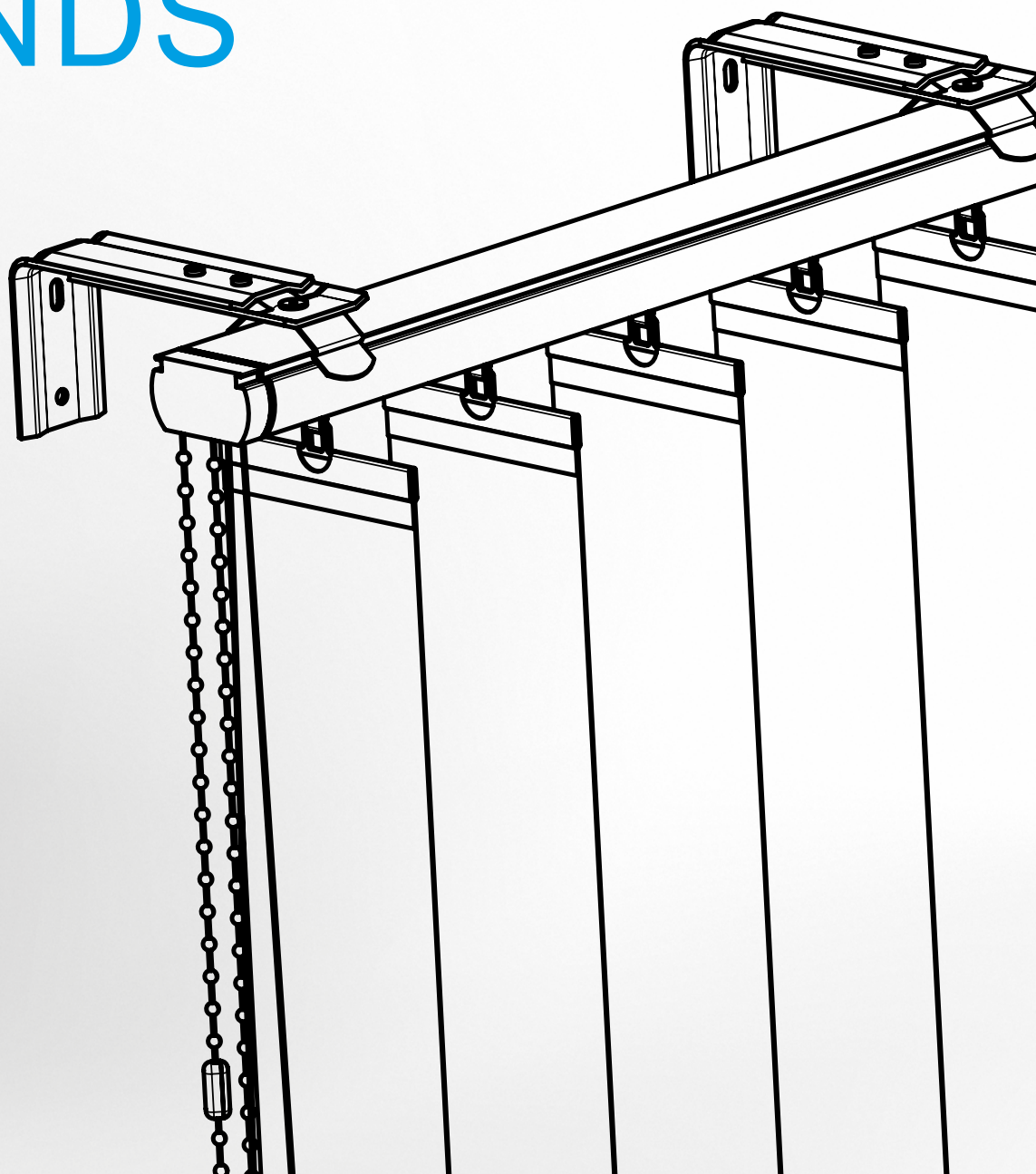




TECHNICAL MANUAL

# VERTICAL BLINDS



---

## Table of Contents – Vertical Blinds

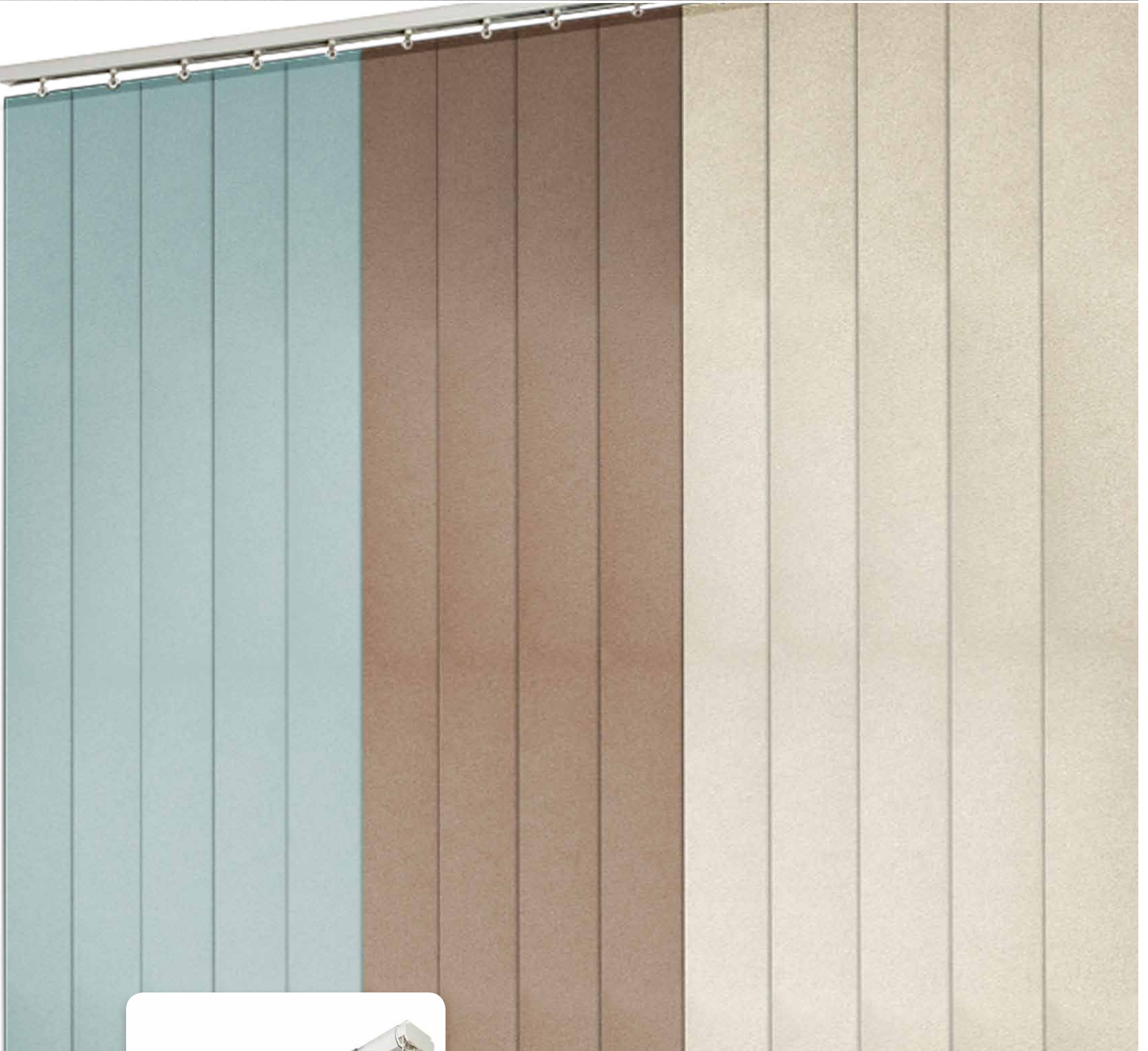
Basic Product Specification	4
Packet Width	6
Manual Control - types	7
Standard Shape Measuring Instructions	8 - 9
Installation Instructions	10 - 11
Safety features according to the standards EN 13120+A1; EN 16 433; EN 16 434	12

---

## **ISOTRA***Quality*

A brand symbolizing years of tradition, innumerable investments into research and development, use of high-quality materials, technological advancement, reliable work of hundreds of employees and many more parameters, which together form one whole - the final product of the company ISOTRA.

# Vertical Blinds

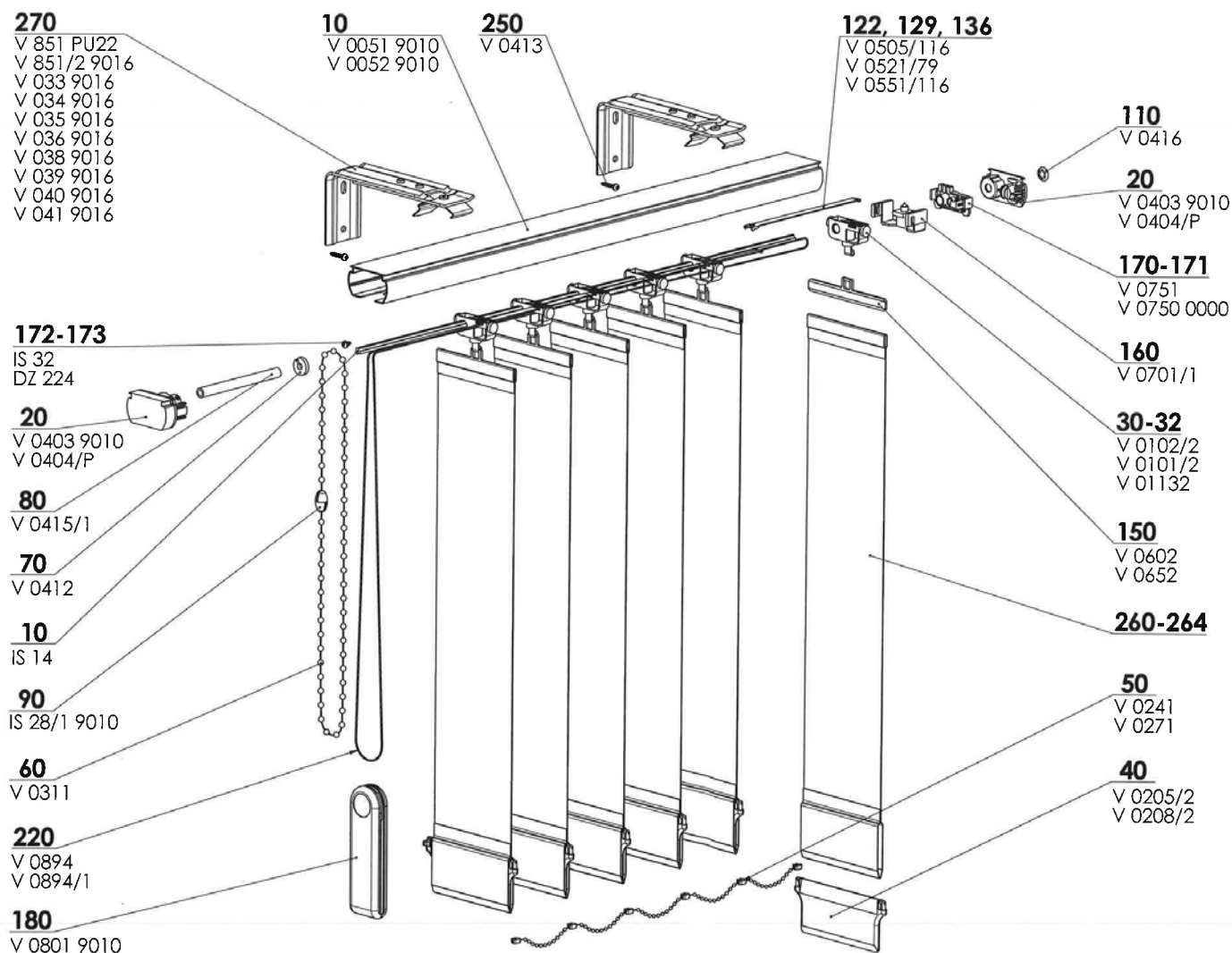


- ▲ Decorative element of interior shading
- ▲ Wide range of fabric slats
- ▲ Fireproof material option
- ▲ Atypical designs
- ▲ Maximum guaranteed area up to 20 m<sup>2</sup>

**ISOTRA** *Quality*

# Vertical Blinds

## Basic Product Specification

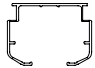
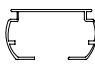


2-00175-XXXX-F

### Manual Control

Cord – for pulling the slats to the sides; chain – for slat tilting (cord color – white)

### Specification

	High Head Rail	Low Bottom Rail	Installation	Brake
Commercial Name	V 0051	V 0052	into opening (ceiling)	standard for atypical designs
Dimension (mm)	45 x 35 x 1.1	45 x 25 x 0.95	in front of opening:	
Material	Al	Al	- wall bracket	
			- adjustable wall bracket 100 – 160 mm	
Color	RAL 9010 White			
			- adjustable wall bracket 160 – 230 mm	

### Standard Dimensions

	Width (mm)		Height (mm)		Guaranteed Area (m <sup>2</sup> )
	min.	max.	min.	max.	max.
Slat 127 mm	300	5950	300	5000	20
Slat 89 mm	300	5950	300	5000	15
Plafond	300	3000	300	2500	7,5
Sloping blind	300	4000	300	4000	15

Atypical designs are produced for following types of blinds: sloping blind and blind in two rails (plafond).

## Vertical Blinds 2-00175-L071

Position	Name of components	Abbreviation	Number of tech. drawing
10	Head rail Al - high	V 0051	7-300260-9010
10	Head rail Al - low	V 0052	7-300261-9010
10	Tilt rod - triangular	IS 14	7-300050-0000
20	Control and end mechanism	V 0403	2-00065-9010
20	Control and end mechanism, rounded with transmission	V 0404/P1	2-00069-0000
31	Slider with hook for plastic spacer (EKO)	V 0101/2	6-001472-0001
32	Slider with hook and spring	V 01132	6-001475-0000
40	Fabric weight 127x45mm - fullplastic	V 0205/2	3-00495-0000
40	Fabric weight 89x45mm - fullplastic	V 0208/2	3-00499-0000
50	Lower chain 127mm	V 0241	6-001477-0000
50	Lower chain 89mm	V 0271	6-001478-0000
60	Chain control 4,5x12mm	V 0311	6-001479-0000
70	Stopper	V 0412	3-00292-0000
80	Tube distance 89mm	V 0415/1	6-001488-0000
90	Chain connector set - white	IS 28/1	2-01039-9010
110	Lock ring 5mm	V 0416	6-001489-0000
122	Plastic spacer 127/106	V 0505/116	3-00293-0000
129	Plastic spacer 79	V 0521/79	6-001503-0000
136	Metal spacer 116	V 0551/116	6-001513-0000
150	Hanger for slats 127mm	V 0602	3-00294-0000
150	Hanger for slats 89mm	V 0652	3-00295-0000
160	Cord connector CTR	V 0701/1	6-008779-0000
170, 171	Magnet for low profile	V 0751	2-00061-0000
170, 171	Magnet for high profile	V 0750	2-00059-0000
172, 173	Screw 2,9x6,5 DIN 7982	IS 32	6-000968-0000
172, 173	Screw 2,9x6,5	DZ 224	6-003135-0000
180	Cord weight	V 0801	2-00079-9010
220	Cord 2,0mm	V 0894	6-001522-0000
220	Cord 2,1mm	V 0894/1	6-001523-0000
250	Screw 2,9x16 DIN 7981	V 0413	6-001485-0000
<b>260 - 264</b>	<b>Fabric</b>		<b>See Sample</b>
270	Clip	V 0851 PU22	6-001521-PU22
270	Clip - rotary	V 0851/2	6-008878-9016
270	Bracket adjustable, big 160-230mm	V 034	2-00740-9016
270	Bracket adjustable, small 100-160mm	V 033	2-00739-9016
270	Extension bracket 100-150 mm	V 039	6-008872-9016
270	Extension bracket 150-250 mm	V 040	6-008873-9016
270	Extension bracket 65-100 mm	V 038	6-008870-9016
270	Adjustable bracket cover	V 041	6-010075-9016
270	Bracket fix, dim 90	V 035	2-00741-9016
270	Bracket fix, dim 120	V 036	2-00742-9016

# Vertical Blinds

## Packet Width

### Packet width according to control type

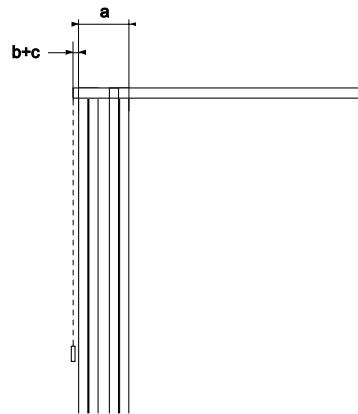
#### Packet Width – type 1, type 2 control

Packet Width (a) in mm = (number of buggies - 1) x 9,0 mm *Note: 1 buggy = 9,0 mm*

Blind Width (mm)	Pack Width (a) (mm)			
	Slat 127 mm		Slat 89 mm	
	a	b + c	a	b + c
1 000	86	76,5	130	57,5
1 500	130	76,5	195	57,5
2 000	184	76,5	270	57,5
2 500	227	76,5	335	57,5
3 000	270	76,5	400	57,5
3 500	313	76,5	475	57,5
4 000	367	76,5	540	57,5
4 500	410	76,5	605	57,5
5 000	454	76,5	680	57,5
5 500	508	76,5	745	57,5
5 990	551	76,5	810	57,5

(b) control mechanism = 13 mm

(c) 1 slat width =  $127 / 2 = 63,5$  mm, or  $89 / 2 = 44,5$  mm



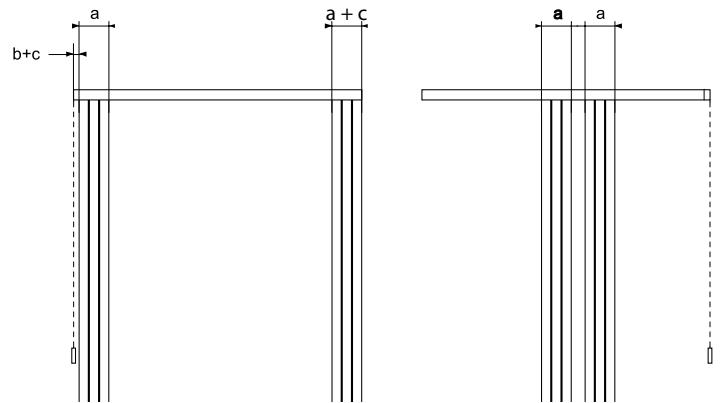
#### Packet Width – type 3, type 4 control (curtain)

(a) Packet Width in mm = (number of buggies / 2 - 1) x 9,0 mm *Note: 1 buggy = 9,0 mm*

Blind Width (mm)	Pack Width (a) (mm)					
	Slat 127 mm			Slat 89 mm		
	Left Side		Right Side	Left Side		Right Side
	a	b + c	a	a	b + c	a
1 000	49	76,5	49	70	57,5	70
1 500	70	76,5	70	103	57,5	103
2 000	92	76,5	92	135	57,5	135
2 500	113	76,5	113	167	57,5	167
3 000	135	76,5	135	200	57,5	200
3 500	167	76,5	167	243	57,5	243
4 000	189	76,5	189	275	57,5	275
4 500	211	76,5	211	308	57,5	308
5 000	232	76,5	232	340	57,5	340
5 500	254	76,5	254	373	57,5	373
5 990	275	76,5	275	405	57,5	405

(b) control mechanism = 13 mm

(c) 1 slat width =  $127 / 2 = 63,5$  mm, or  $89 / 2 = 44,5$  mm

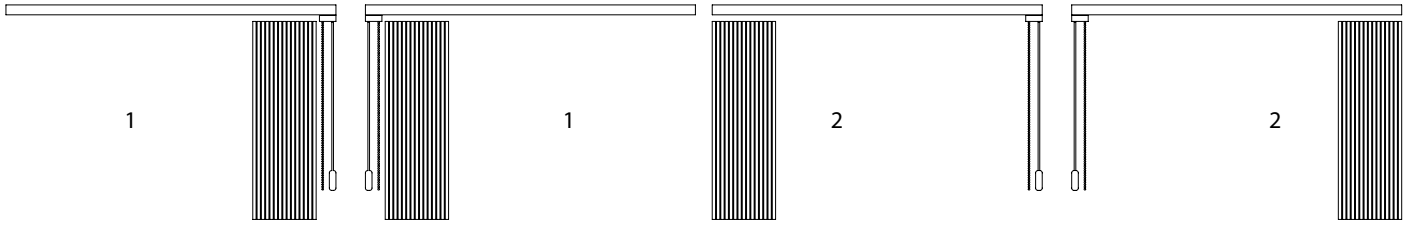


## Vertical Blinds - Manual Control

Control length = approximately 2/3 of the blind height  
 The control length can be adjusted based on the customer's specific requirements.

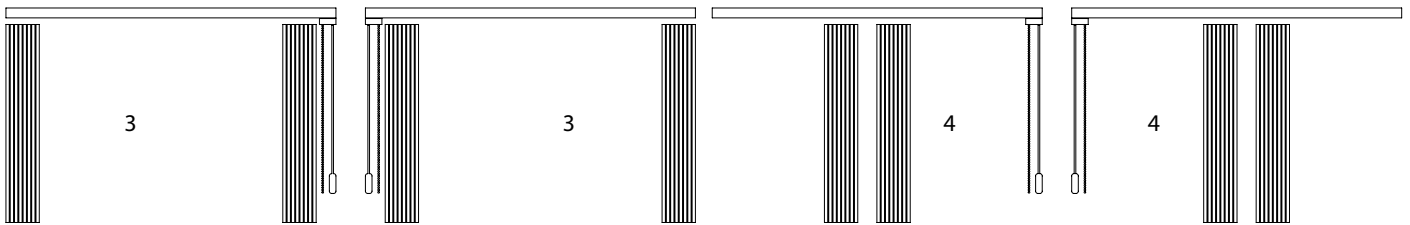
Typ 1 – pulling to the control : Right/Left

Typ 2 – pulling from the control : Right/Left



Typ 3 – curtain (pulling to the sides) : Right/Left

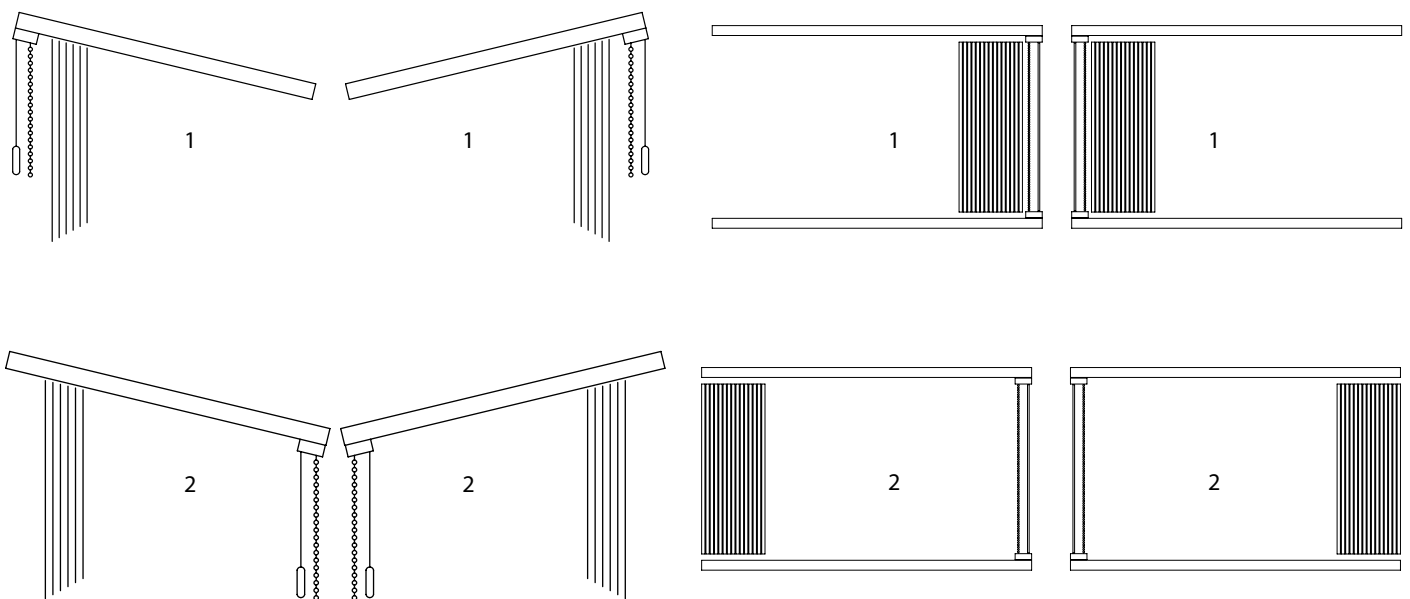
Typ 4 – curtain (pulling to the center) : Right/Left



## Atypical Blinds Control

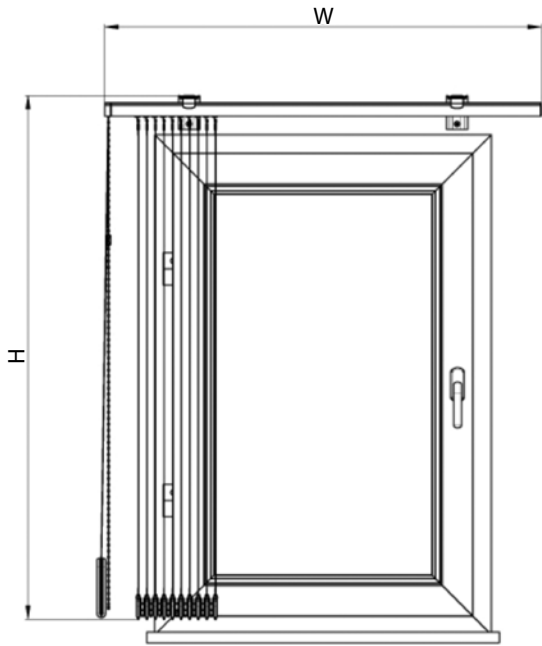
Sloping blind  
 Control options: right / left  
 Typ: 1, 2

Blinds in two rails (plafond)  
 Control options: right / left  
 Typ: 1, 2



# Vertical Blinds

## Measuring Instructions



The blind can be positioned into or in front of the hole (opening on the ceiling or the wall).

The width and height are measured in the following way:

w.... (width)

a) fixing into the opening

The real width of the opening is measured. Subtract 5 mm from the real width of the opening and fill in the order form.

b) fixing onto the opening

The width of the opening plus the width of the packet is stated in the order sheet.

The height of the blind is produced with a precision of millimetres up to the height of 5,990 mm.

h .... (height)

The total height, including the head profile, is measured

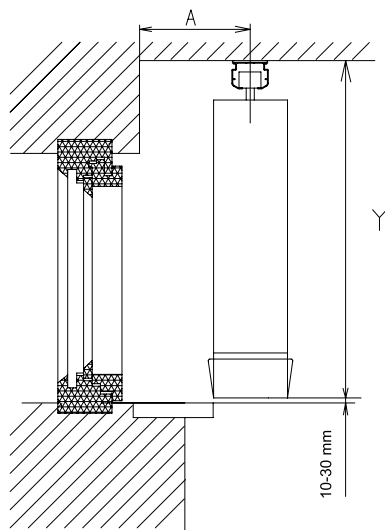
a) height from the window ledge.

Subtract 10 - 30 mm from the total height and fill in the order form.

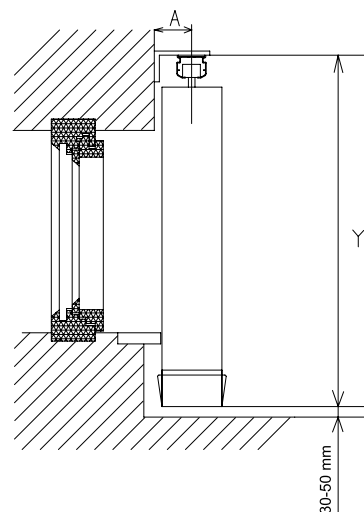
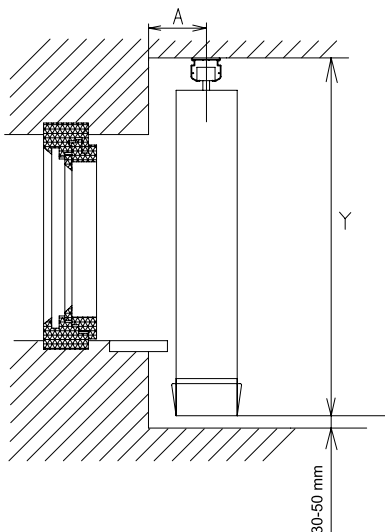
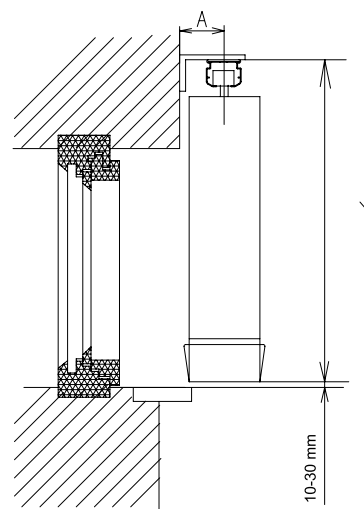
b) height to the floor

Subtract 30 - 50 mm from the total height and fill in the order form.

### 1. Installation into opening (onto ceiling)



### 2. Installation in front of opening (onto wall)

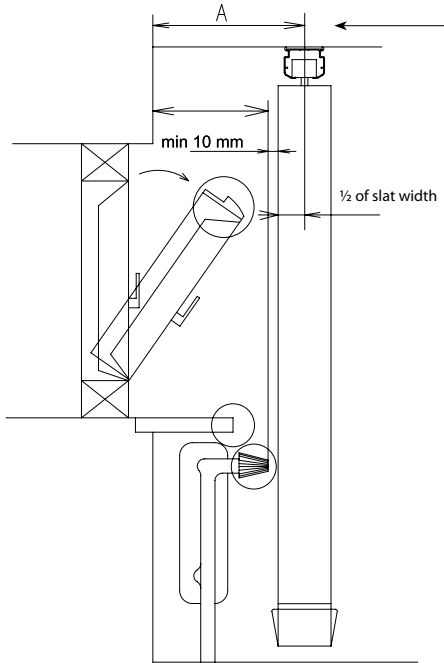




## Vertical Blinds

### Atypical Blinds Measuring Instructions

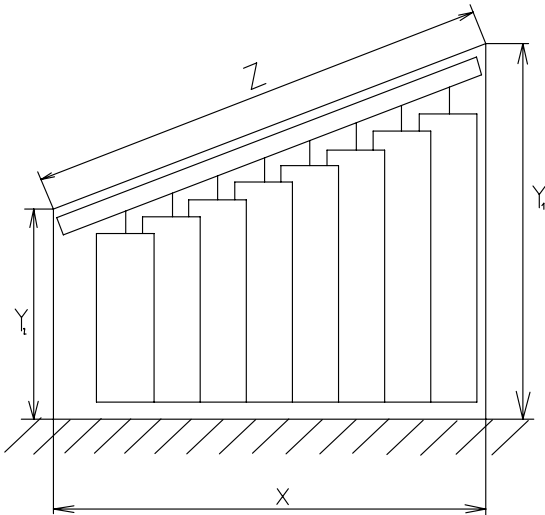
Please consult the measurement and assembly of the sloping blinds with the manufacturer.



**Distance between clip center / bracket and wall (dimension A):**

1. Installation in opening (in ceiling)  
 dimension A for slat width of 127 mm: 70 – 80 mm  
 dimension A for slat width of 89 mm: 50 – 60 mm
2. Installation before opening (on wall)  
 dimension A for slat width of 127 mm / 89 mm: standard 115 mm,  
 min. 80 mm, max. 160 mm

**Sloping blinds**



The dimensions of the area to be shaded are targeted.

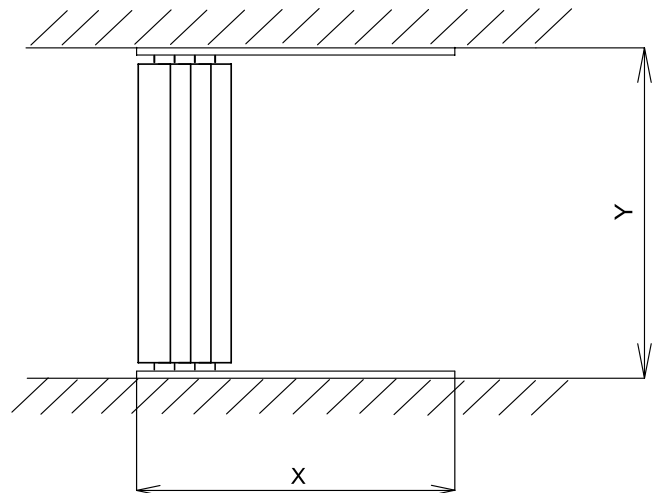
**Ordering dimensions (= finished blind dimension):**

Blind width X = opening width

Blind height  $Y_{1,2}$  = see the drawing

Z... informative detail

**Blinds in two rails (plafond)**



**Ordering dimensions (= finished blind dimension):**

Blind width X = opening width

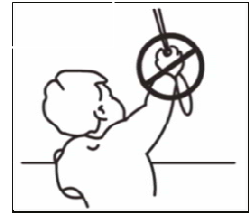
Blind height Y = opening height

**Length of the control:**

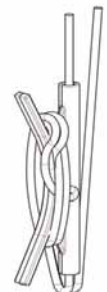
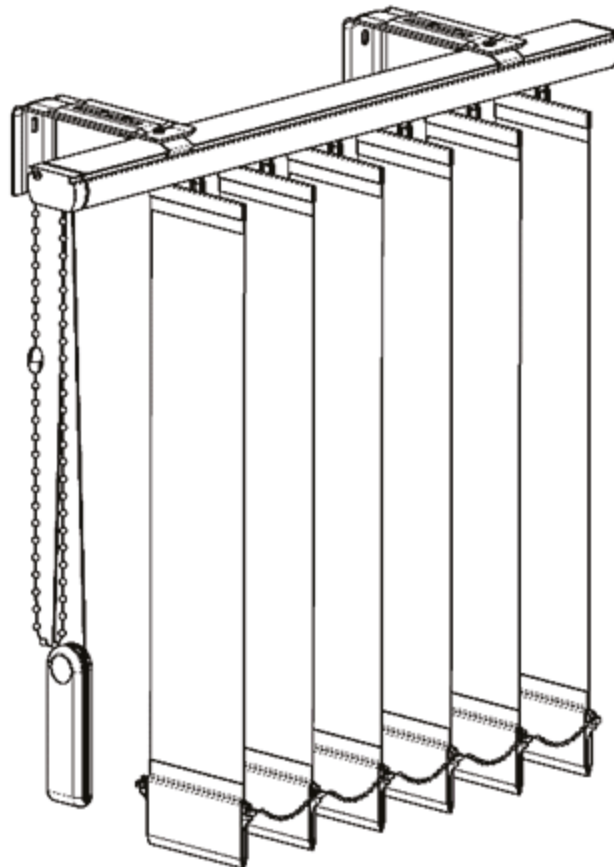
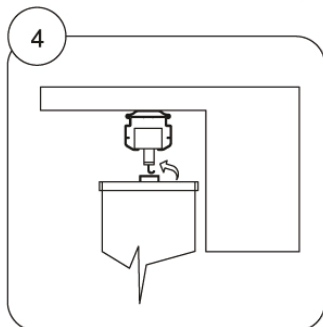
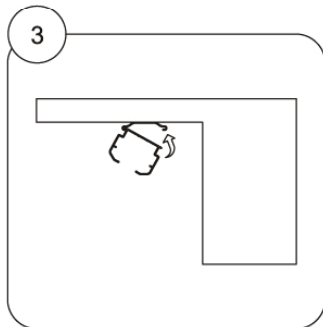
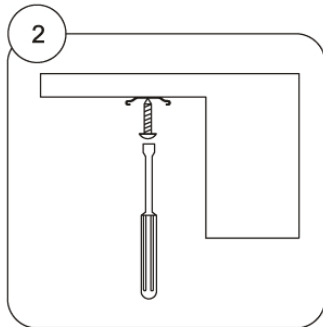
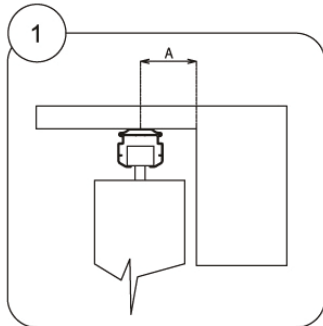
- according to the requirements of the client. If not mentioned, 2/3 of the height of the blind is chosen.

# Vertical Blinds

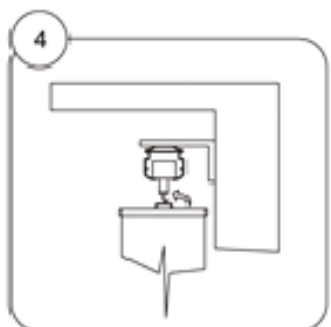
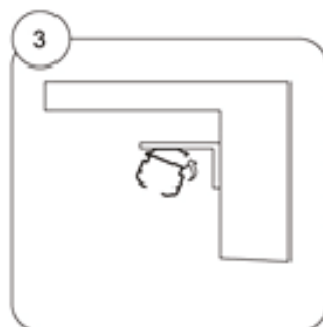
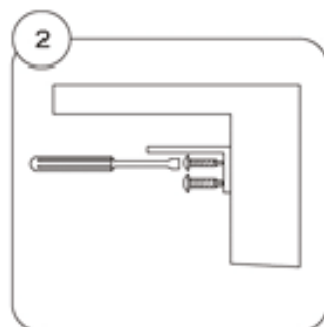
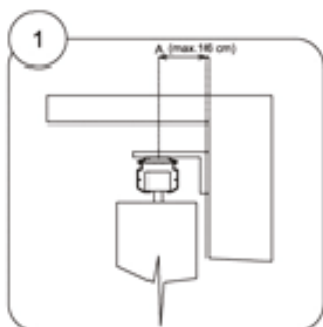
## Assembly Instructions



Assembly into the opening  
(onto the ceiling)



Assembly into front of hole  
(into the wall)



# Vertical Blinds

## Assembly Instructions

Follow the assembly instruction strictly to avoid the useless assembly mistakes and other related problems.

### Tools for assembly:

- tape measure
- pencil
- spirit level
- electric drill and drill bits according to mounting material
- cordless electric drill
- magnetic adapter, bits PZ2
- hammer tab
- screws, dowels
- knife, scissors

	assembly on ceiling	assembly on the wall	Assembly on ceiling (plasterboard)
- screw/dowel	4 mm / 8 mm	4 mm / 8 mm	3 mm x 20 / BIT, dowel Fischer
- screw driver Ø	8 mm	8 mm	-

### Inspection:

- before assembly please check all of the delivered parts of the goods to prevent any problems. Any defects or comments concerning the assembly or the blind should be told the manufacturer.

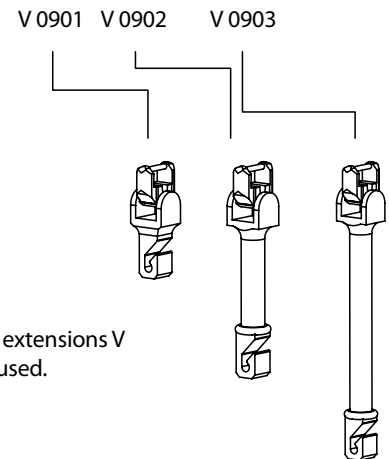
### Installation:

#### a) assembly into the ceiling

- drill the required number of holes according to the number of delivered clamps for dowels with the diameter 8 mm, with the distance of minimally 60 mm for slat 89 mm and 80 mm for slat 127 mm from the perpendicular wall
- fix the clips using the screws (the length of the screws is set according to the structure of the ceiling material)
- click the head rail into the prepared clips
- turn the buggies using the control chain to hang the slats perpendicularly to the head rail
- hang up the slats
- check the turning and pulling of the slats

#### b) assembly on the wall

- mark holes for fixation of the consoles (two holes for one bracket)
- drill holes with a diameter of 8 mm
- insert dowels
- bolt the brackets with the clips
- click the head rail into the prepared clips
- turn the buggies using the control chain to hang the slats perpendicularly to the head rail
- hang up the slats and check the turning and pulling of the slats

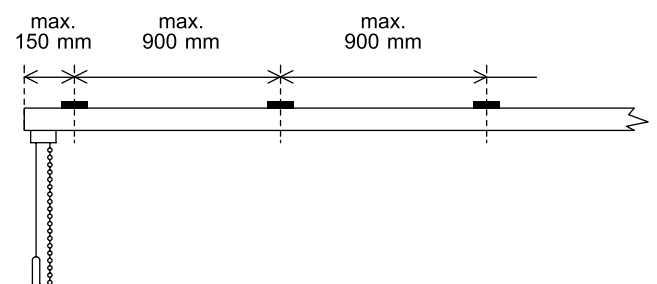


For the a-type slopes the extensions V 0901, V 0902, V 0903 are used.

### Number of clips (brackets) for Installation:

Blind Width (mm)	Number of Clips (Brackets) (units)
0 – 1290	2
1300 – 1990	3
2000 – 2990	4
3000 – 3990	5
4000 – 4990	6
5000 – 5950	7

### Layout of clips (brackets)



**Safety features according** to the standards EN 13120+A1; EN 16 433; EN 16 434



Connection



Pulley



Cleat



Two wheels

INTERIOR SHADING	Safe type of operation						Dangerous operation			Suitability of ISOTRA protective systems			
	Manually	Wheel	Handle	Switch	Remote control	Control bar	Šňůra	Šňůra/táhlo	Řetěz	Coupler	Pulley	Reel	Two wheels
<b>HORIZONTAL BLINDS</b>													
ISOTRA SYSTEM HIT													
ISOTRA SYSTEM HIT II													
ISOTRA SYSTEM CLASSIC													
ISOTRA ENERGY													
ISOLITE													
ISOLITE PLUS													
NEOISOLITE													
SYSTEM 25S, 25SM													
SYSTEM 25R													
SYSTEM 25L (large)													
SYSTEM 25K													
SYSTEM 25SW													
SYSTEM 25M													
CETTA 35, 50 - ECONOMY													
CETTA 35													
CETTA 50 (usage in interior)													
V-LITE INTERIOR ROOF BLIND													
ATYPICAL CHAIN BLINDS													
CHAIN BLINDS WITH BRAKE													
CHAIN BLINDS (space > 2,5 m <sup>2</sup> )													
<b>VERTICAL BLINDS</b>													
<b>JAPANESE PANEL BLINDS</b>													
<b>PLISSÉ</b>													
VS													
F													
DFC													
PL													
SD													
SR 1 S													
<b>FABRIC ROLLER BLINDS</b>													
VERRA													
VERRA METAL													
VERRA SEMI													
ROLLITE													
LUNA													
SUNLITE													
NEMO													
LARRA													
R-LITE ROOF ROLLER BLIND													
SCREEN HR8-ZIP INTERIOR BO													









**ISOTRA a.s.**

Bílavecká 2411/1, 746 01 Opava  
Czech Republic

Tel.: **+420 553 685 111**  
E-mail: [isotra@isotra.com](mailto:isotra@isotra.com)

[www.isotra.com](http://www.isotra.com)

Released: 06/2024

**ISOTRA Partner**



*... a touch of intimacy.*