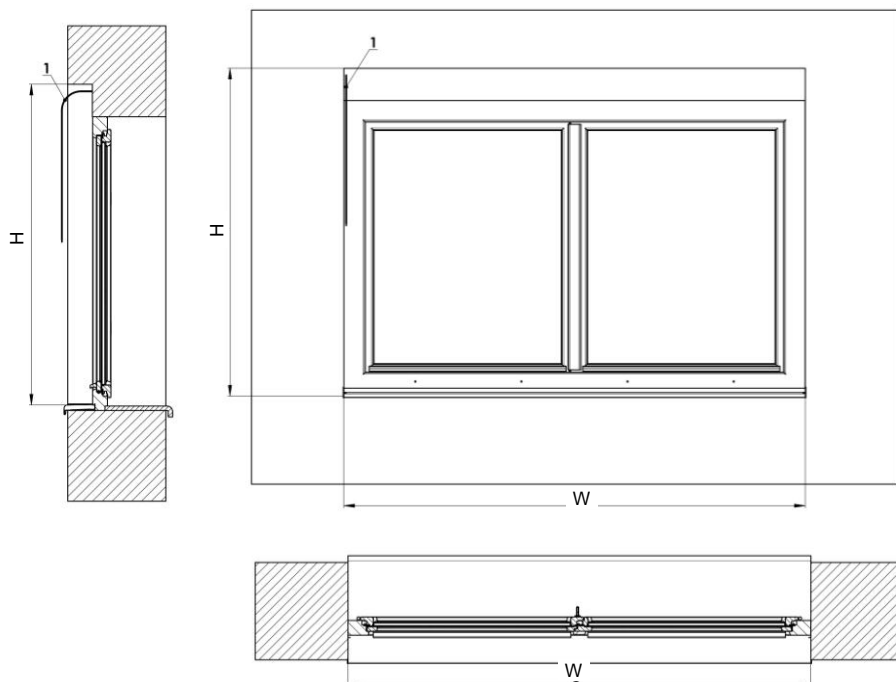


SELF-SUPPORTING BLIND, UPROLLING OUTSIDE THE CHANNEL

1. MEASURE-TAKING

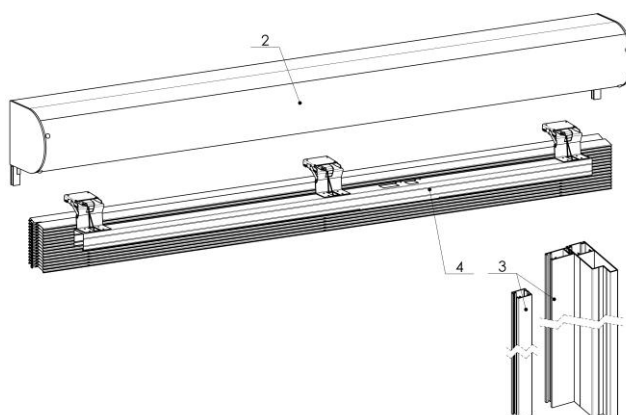
Measure-taking applies to width (W) and height (H) of the opening.
The blind width should be measured in three points – atop, in the middle and at the bottom.
For manufacture and order, the lowest dimension measured is indicated.

(1) - electrical cable



2. INDIVIDUAL PARTS

- (2) - self-supporting box
- (3) - guide bars
- (4) - slat packet

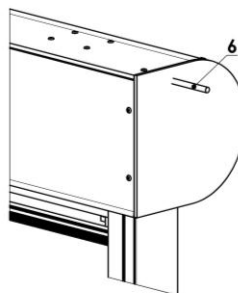
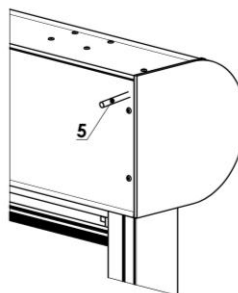
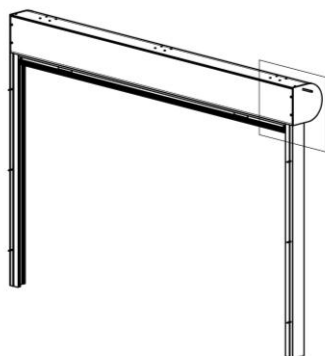


Instruction validity: as of 1 August 2013

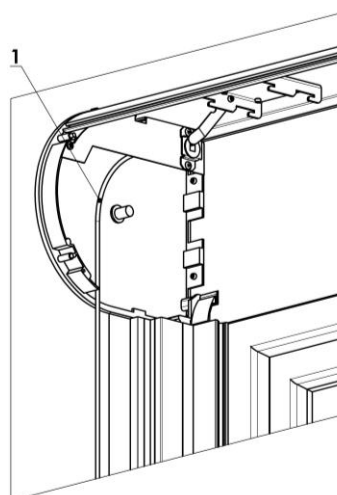
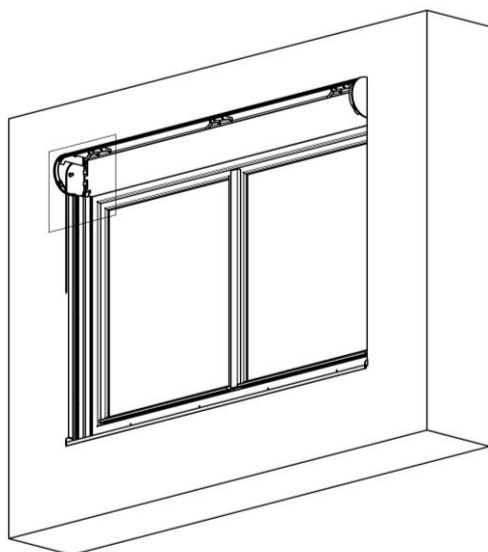
3. WIRING

Versions of the recommended positioning of the electrical cable

- (5) - rear outlet
- (6) - side outlet



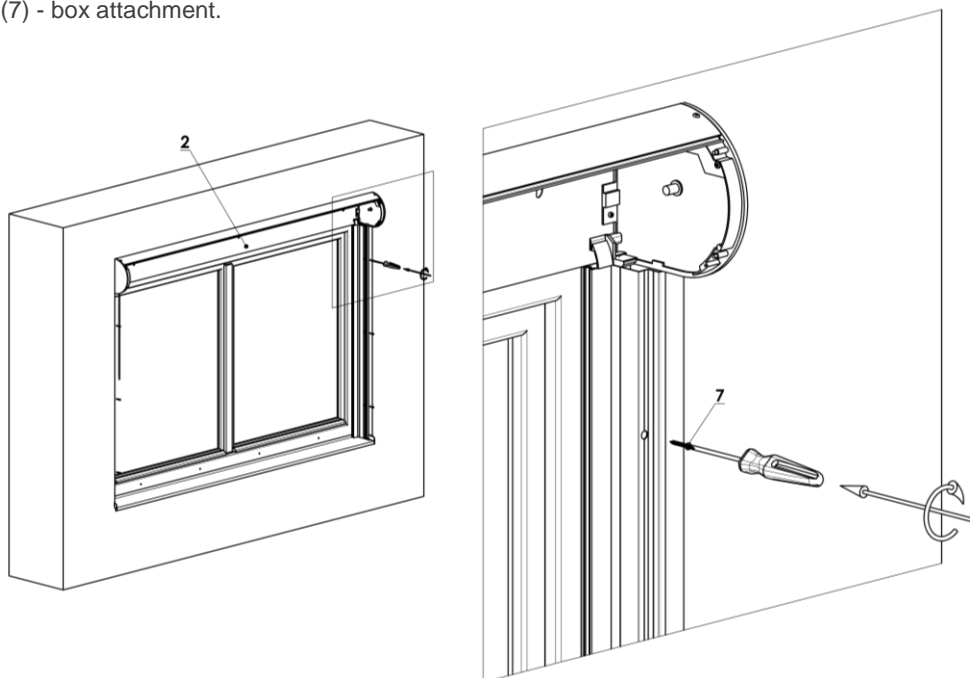
3.1 CABLE INNER LEAD



Instruction validity: as of 1 August 2013

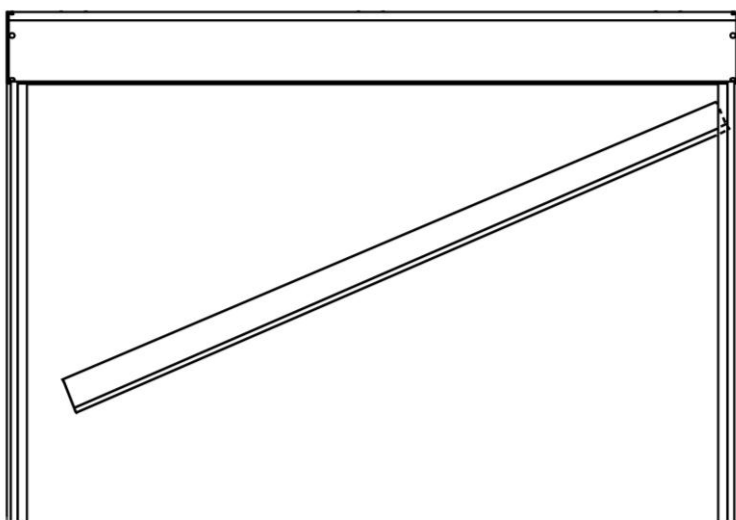
4. ATTACHMENT OF THE SELF-SUPPORTING FRAME IN THE REVEAL

- Slide the basic guide bars to the blind box;
- Place and secure the box in the reveal;
- (7) - box attachment.



5. SCREEN ADJUSTMENT

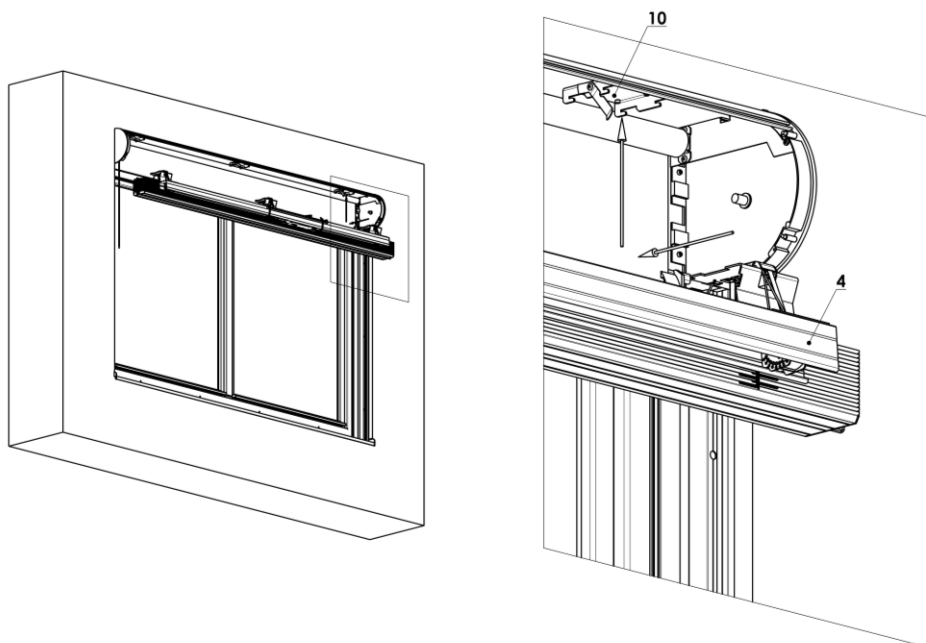
- Pull the lower profile with the screen down under the plastic guiding components at the top of the guide bars and then - in an inclined position - insert the lower profile into the guiding bars for the screen. Push both edges of the screen into the guide bars. The plastic guidance component serves as an upper stop for the bottom bar.



Instruction validity: as of 1 August 2013

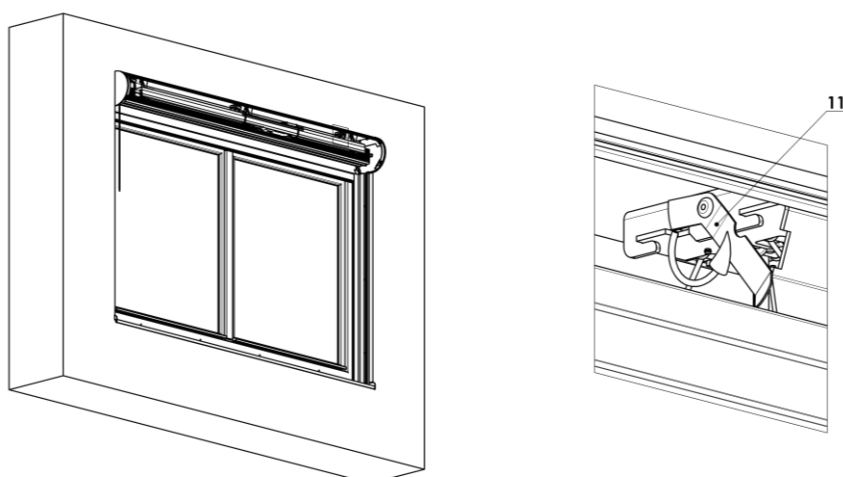
6. SLAT MOUNTING

- Slide the slat packet (4) into the blind suspensions (10).



7. SECURING THE PACKET

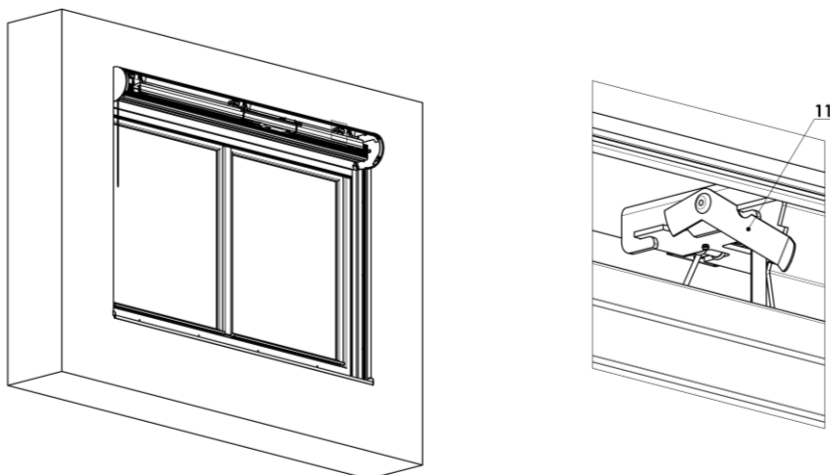
- Turn the spring to lock the system against release;
- (11) - lock spring.



Instruction validity: as of 1 August 2013

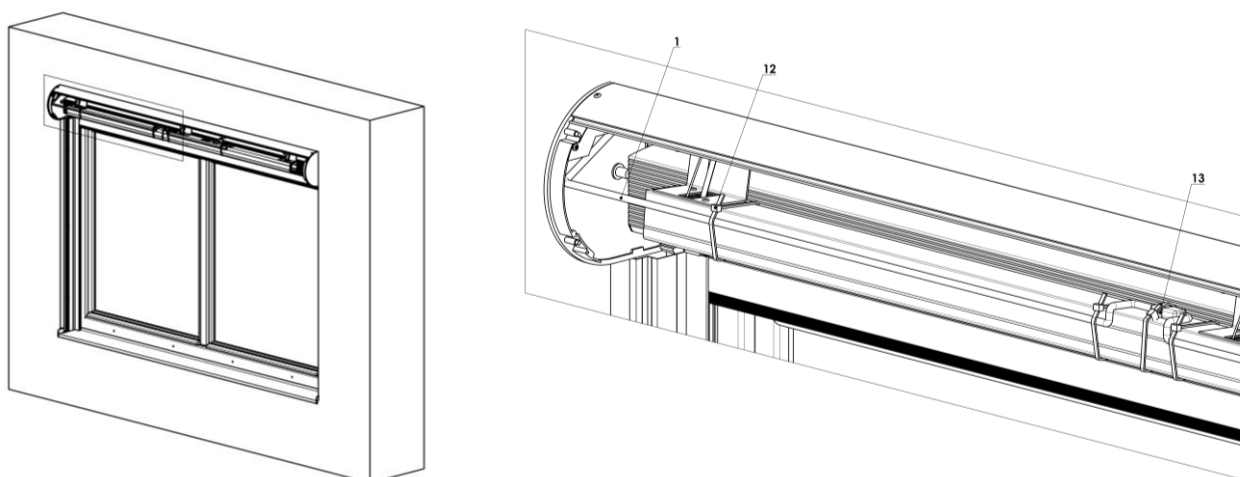
7.1 LOCKED PACKET

- Spring clicked in the slot.



8. ELECTRICAL INSTALLATION – RECOMMENDED METHOD

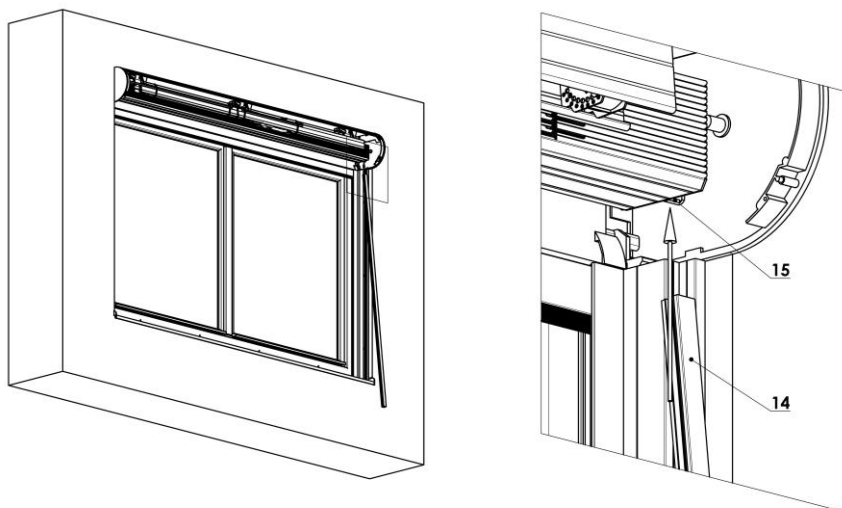
- Couple the connectors (13), lead the cable on the upper side of the channel front area;
- Secure the cable using clamping bands (12).



Instruction validity: as of 1 August 2013

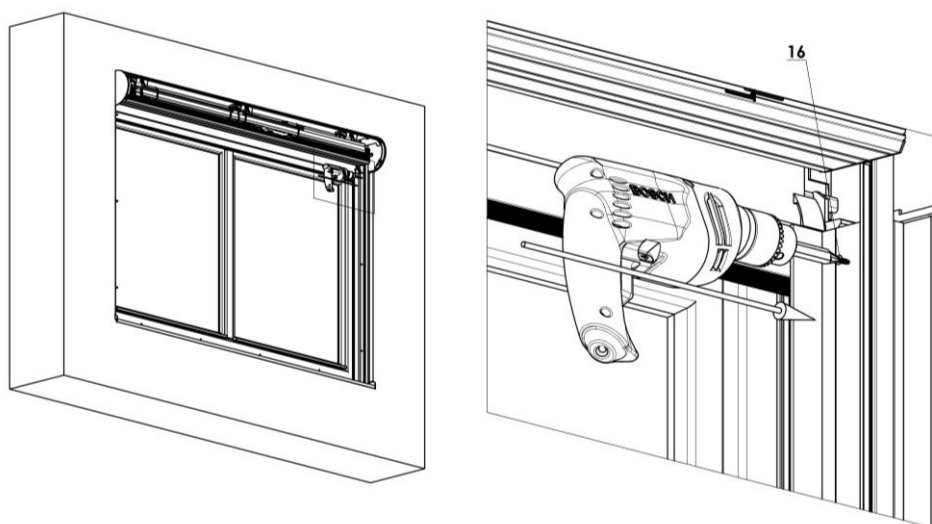
9. FIXING THE BLIND GUIDE BARS

- Slide the blind guide bar (14) into the guide pieces (15).



10. LOCKING THE GUIDE BARS

- Use screw (16) to attach the blind guide bar to the basic guide bar.

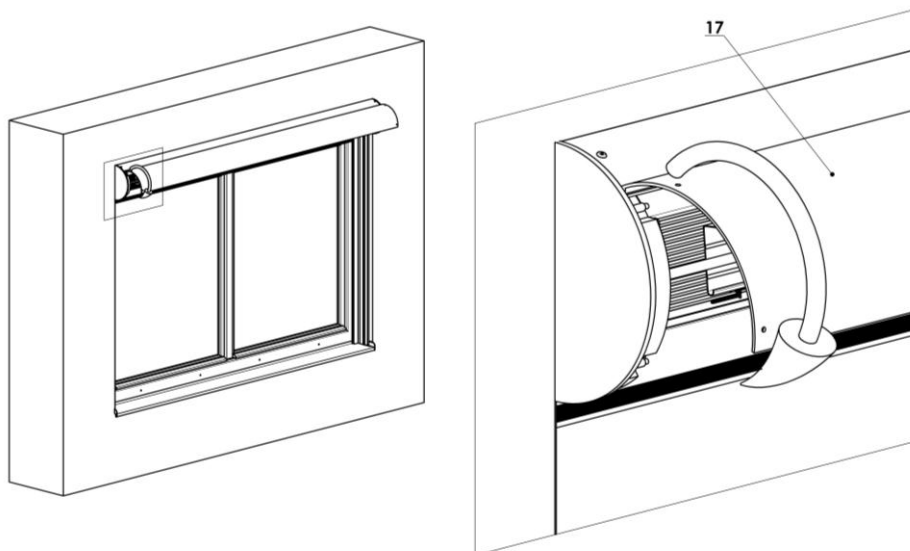


10.1 REPEAT THE SAME METHOD FOR THE OTHER SIDE OF THE BLIND

Instruction validity: as of 1 August 2013

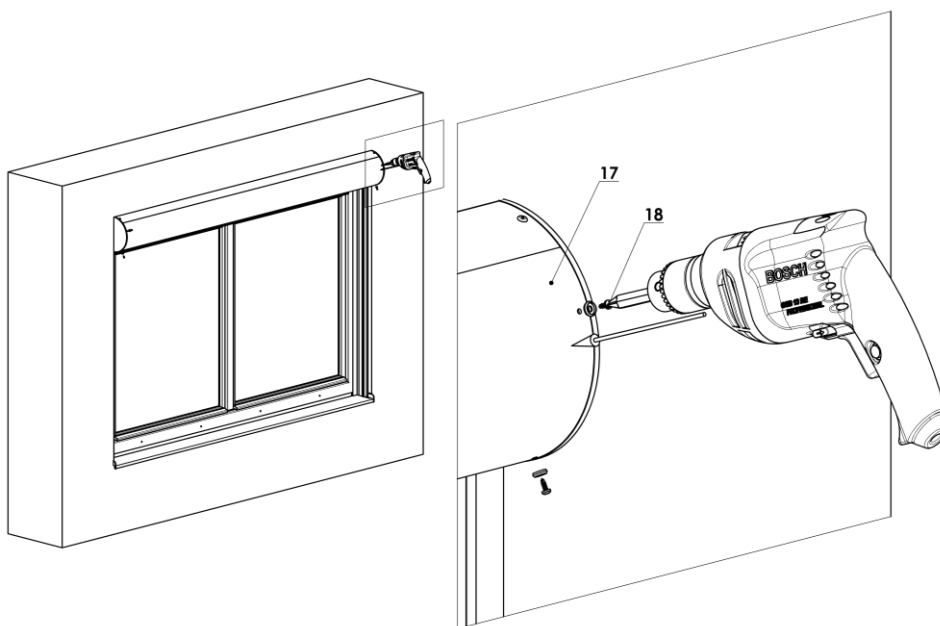
11. FIXING THE REVISION COVER

- (17) - revision cover.



11.1 ATTACHMENT OF THE REVISION COVER

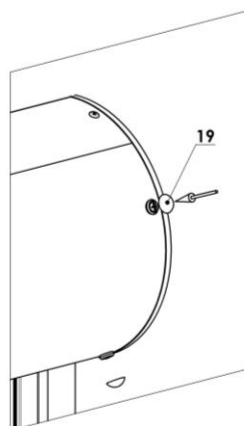
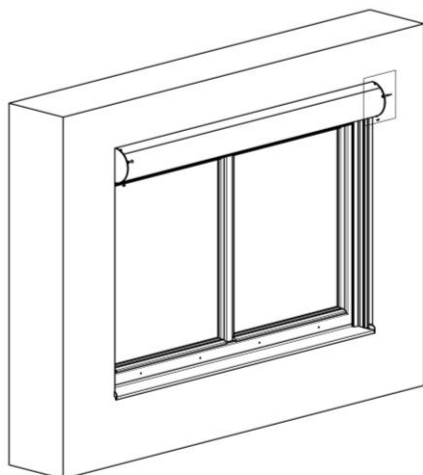
- Use screw (18) with a plastic washer.



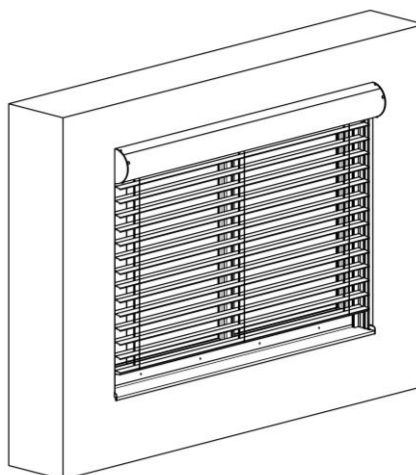
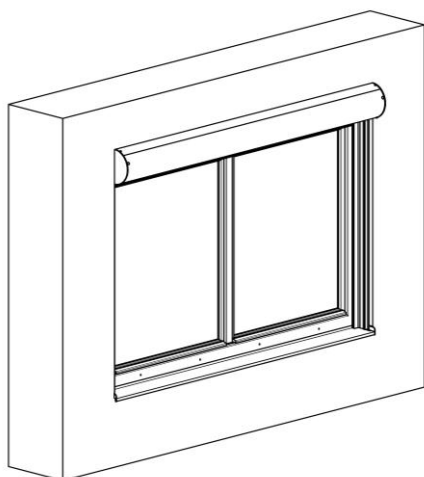
Instruction validity: as of 1 August 2013

11.2 FIXING A SCREW CAP

- Fix cap (19) to the screw head.



12. FUNCTIONALITY CHECK



Instruction validity: as of 1 August 2013

CHECK:

- Prior to assembly, we recommend checking the components upon delivery, thus preventing eventual problems.
Please inform the manufacturer of any deficiencies and/or notes regarding the assembly or the blind as such.

ASSEMBLY TOOLS:

1. Tape measure;
2. Spirit-level;
3. Pencil;
4. Hammer;
5. Electric drill and borers in accordance with the specifications;
6. Cordless drill;
7. Magnetic extension;
8. PZ2, PH2 bits;
9. Assembly cable;
10. Set of insulated screwdrivers.

Instruction validity: as of 1 August 2013